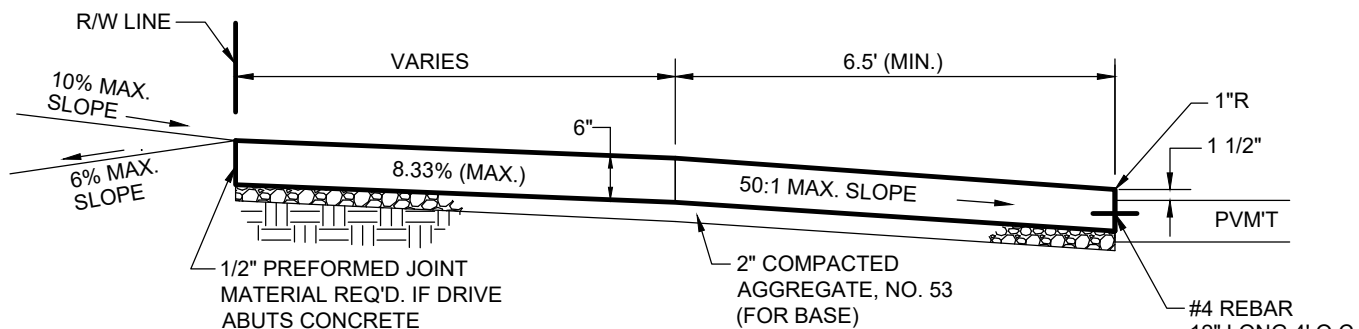
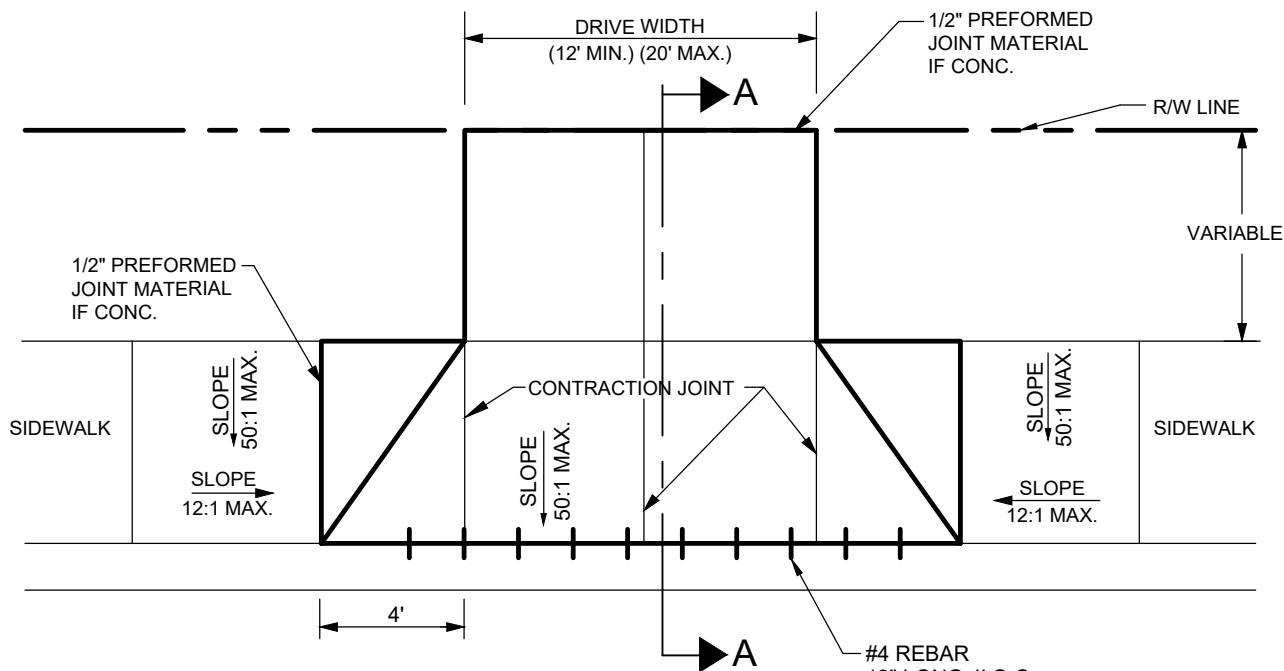


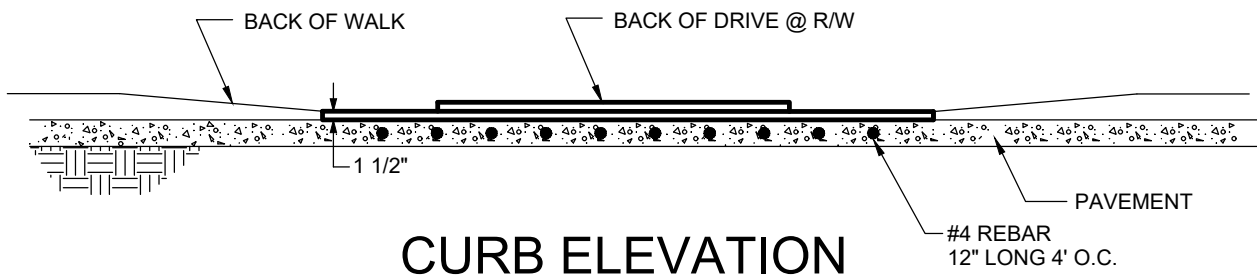


## RESIDENTIAL DRIVE APPROACH FOR CURBFACE WALK

NOT TO SCALE



### SECTION A-A



### CURB ELEVATION