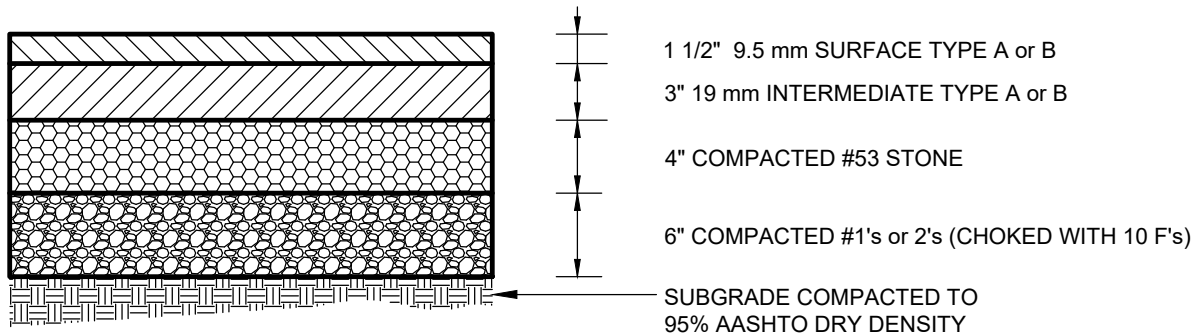




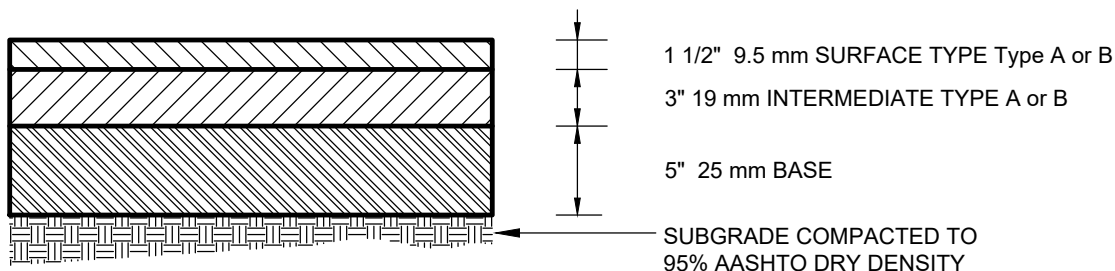
## ASPHALT / STONE OPTION

NOT TO SCALE



## FULL DEPTH PAVEMENT OPTION

NOT TO SCALE



## CONCRETE PAVEMENT OPTION

NOT TO SCALE

