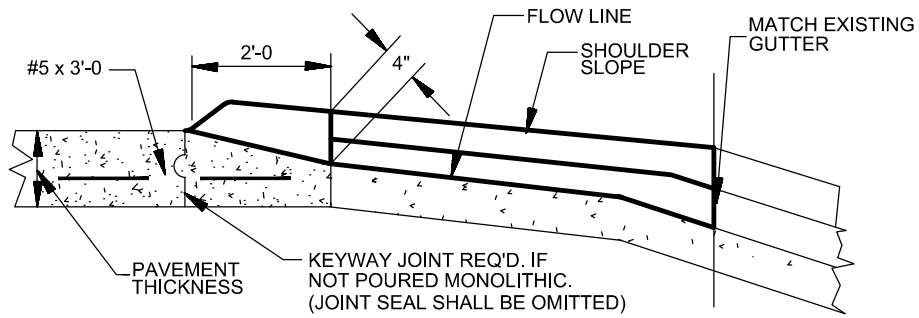
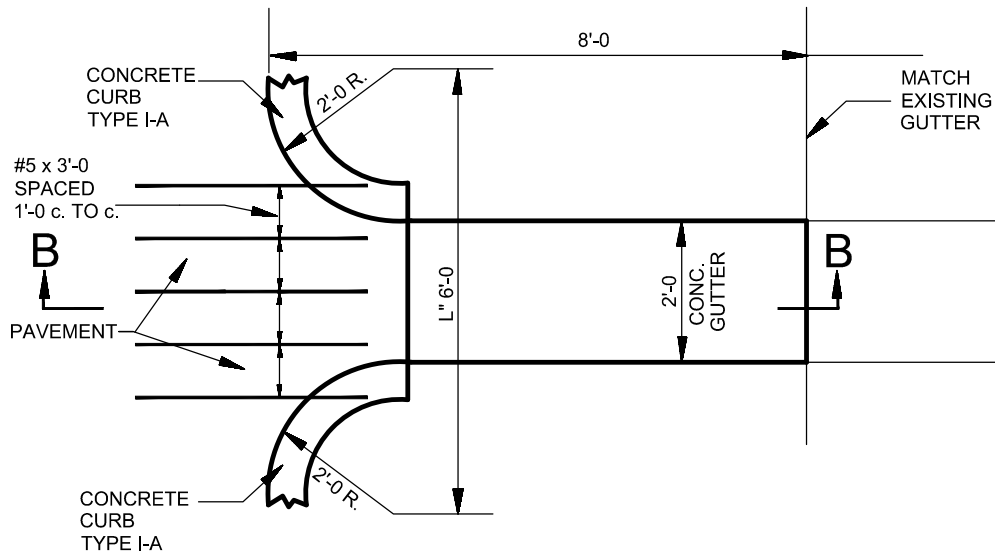




## CURB TURNOUT TO CONCRETE GUTTER

NOT TO SCALE



### SECTION B-B