

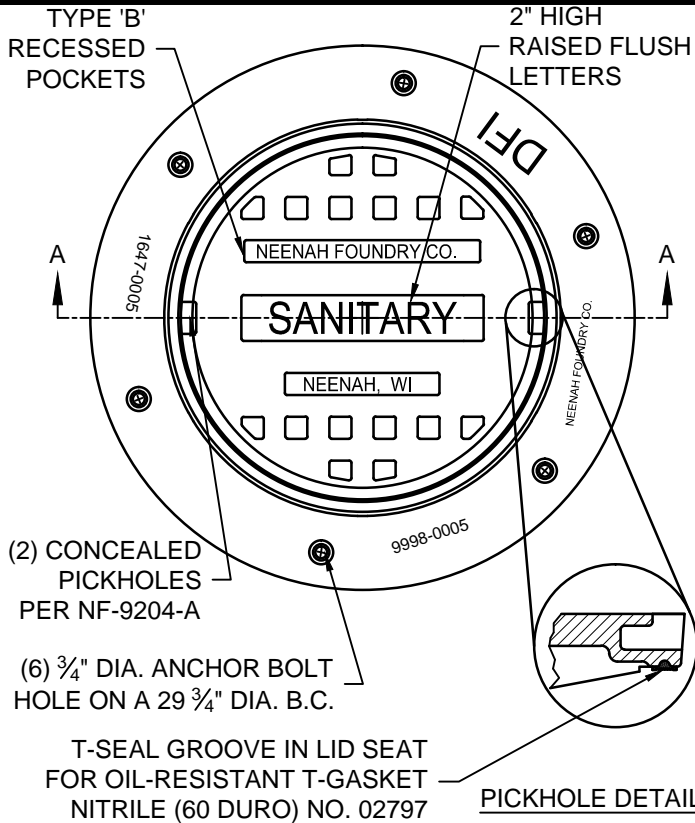


24" SANITARY LOW-PROFILE CASTING

Created: May 10, 2017

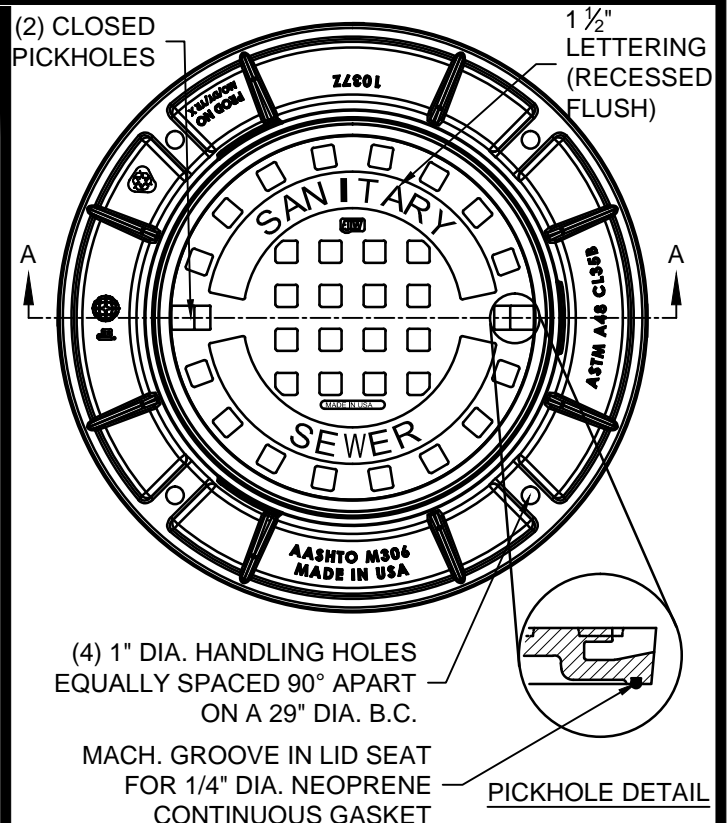
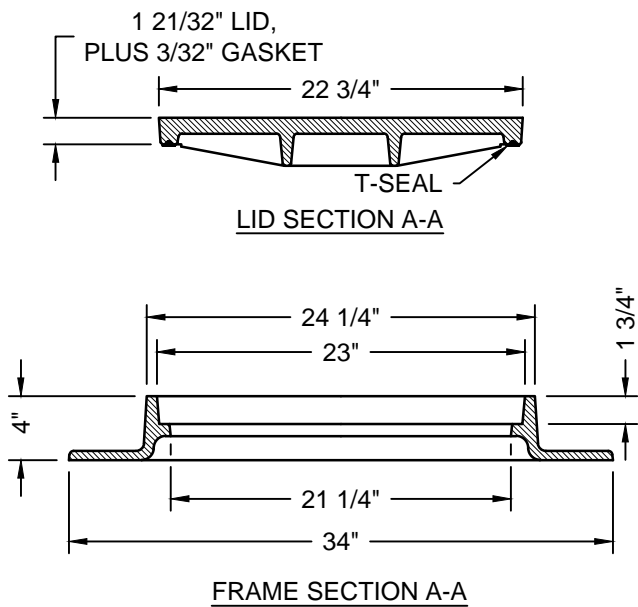
Revised: May 10, 2017

Scale: N.T.S.



- NOTES:**
1. ASTM A48-83 CLASS NO. 35
 2. ALL BEARING SURFACES TO BE MACHINED

FRAME AND SOLID LID
NEENAH R-1647 W/"SANITARY" LETTERED, SOLID LID
(SANITARY APPLICATION ONLY)



- NOTES:**
1. ASTM A48-83 CLASS NO. 35
 2. ALL BEARING SURFACES TO BE MACHINED

FRAME AND SOLID LID
EAST JORDAN 1037Z W/1020AHDGS "SANITARY SEWER" LETTERED, SOLID LID (SANITARY APPLICATION ONLY)

