



# 2' X 3' CURB AND GUTTER CASTING

Created: July 20, 2010

Revised: March 25, 2014

Scale: N.T.S.

BOLT CURB BOX TO FRAME  
W/ (2) 5/8"-13 BOLT,  
FLAT WASHER & NUT

(4) 1" DIA  
HANDLING HOLES

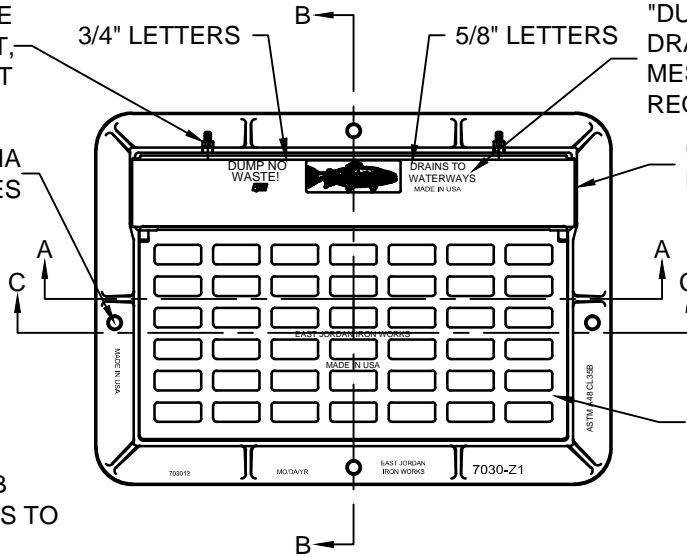
3/4" LETTERS

5/8" LETTERS

"DUMP NO WASTE!  
DRAINS TO WATERWAYS!"  
MESSAGE WITH FISH IMAGE  
REQUIRED ON ALL CASTINGS

CURB ADJUSTMENT  
FROM 6" TO 10"

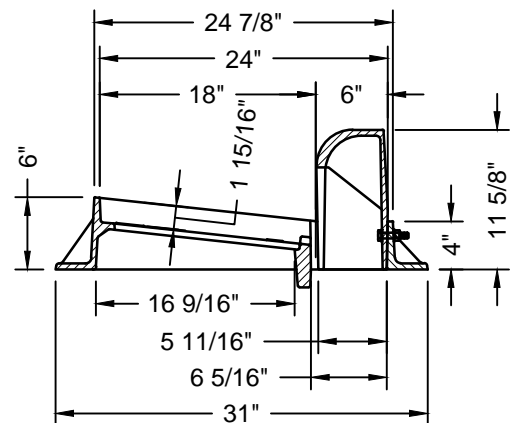
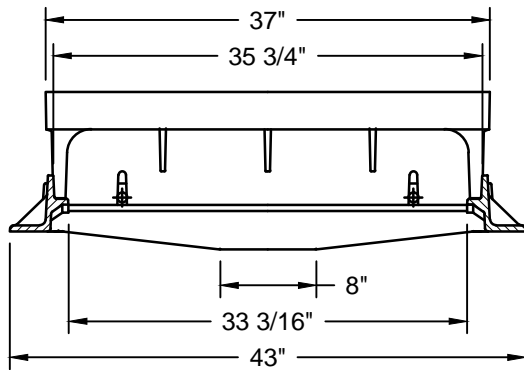
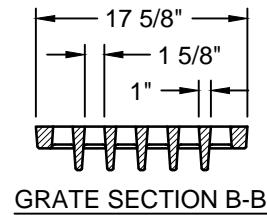
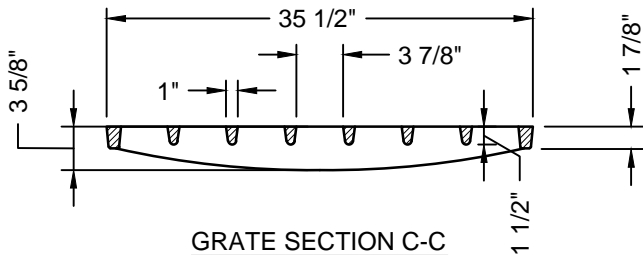
GRATE TYPE M2  
260 SQ IN OPEN AREA



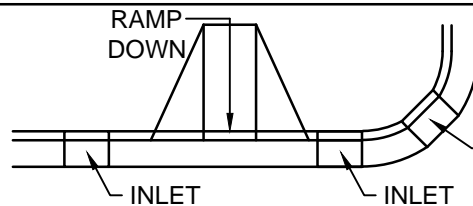
**NOTES:**

1. ASTM A48-83 CLASS 35B
2. ALL BEARING SURFACES TO BE MACHINED

**FRAME AND GRATE**  
EAST JORDAN 7030Z1 W/GRATE  
TYPE M2 & ENVIRONMENTAL  
LETTERING/SYMBOLS.



INLET SHALL NOT BE PLACED  
AT ENTRANCE OF ANY ADA  
CERTIFIED RAMPS.



SMOOTH TRANSITION TO BE  
MAINTAINED WHEN PLACING  
INLET WITHIN CURB RADIUS.