



24" STORM CASTING

Created: July 8, 2010

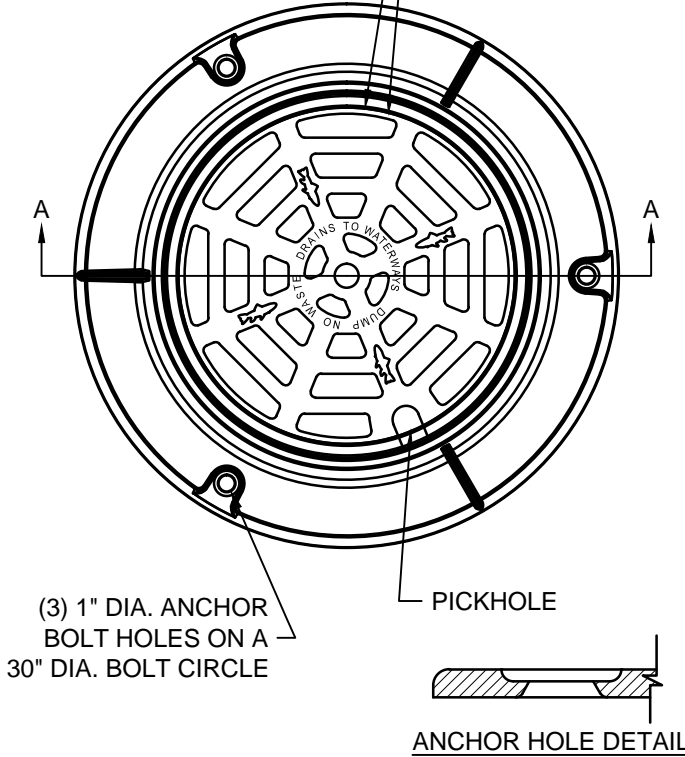
Revised: June 12, 2014

Scale: N.T.S.

Approved: May 16, 2012

"DUMP NO WASTE!
DRAINS TO WATERWAYS!"
MESSAGE WITH FISH IMAGE
REQUIRED ON ALL CASTINGS

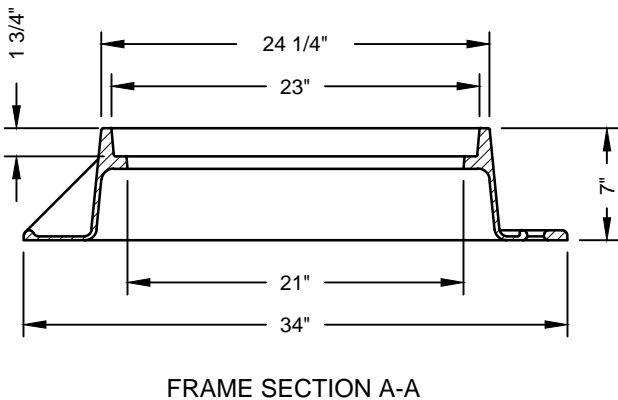
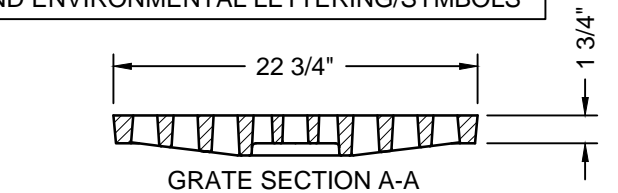
TYPE D GRATE
APPROX. 130 SQ. IN.
OPEN AREA



NOTES:

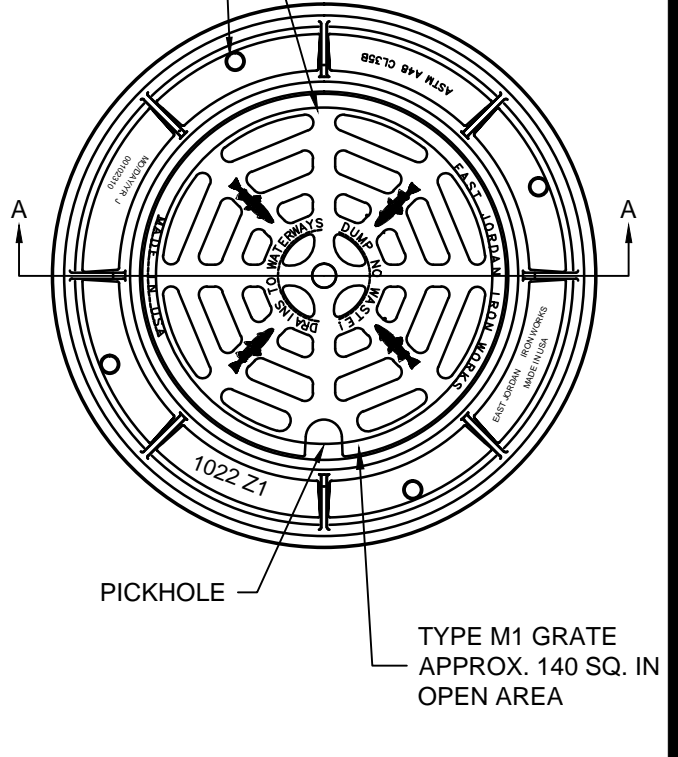
1. ASTM A48-83 CLASS 35B
2. ALL BEARING SURFACES TO BE MACHINED

FRAME AND GRATE
NEENAH R-2502 W/TYPE D GRATE
AND ENVIRONMENTAL LETTERING/SYMBOLS



(4) 1" DIA. ANCHOR
HOLES ON 29" DIA.
BOLT CIRCLE

"DUMP NO WASTE!
DRAINS TO WATERWAYS!"
MESSAGE WITH FISH IMAGE
REQUIRED ON ALL CASTINGS



NOTES:

1. ASTM A48-83 CLASS 35B
2. ALL BEARING SURFACES TO BE MACHINED

FRAME AND GRATE
E. JORDAN 1022Z1M1 W/ ENVIRONMENTAL
LETTERING/SYMBOLS

